

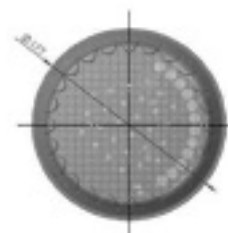
LED Lighting

High Intensity multicolour or white LED lamp. Environmentally friendly, thanks to its long life (100,000 hours) and high energy efficiency (up to 80% less power consumption than a traditional lighting system). A choice of fixed colour or automatic sequencing can be used to create a range of different effects.

- 18 x 1W LEDs per lamp: 6 x red, 6 x green and 6 x blue (multicolour) or 18 x white
- Initial output 745 lumens
- Maximum Power consumption 45W per unit
- Multicolour lamp has 12 function modes: 6 fixed colours and 6 sequences
- Nominal voltage 12V AC
- The floodlamp complies with IPX8 protection



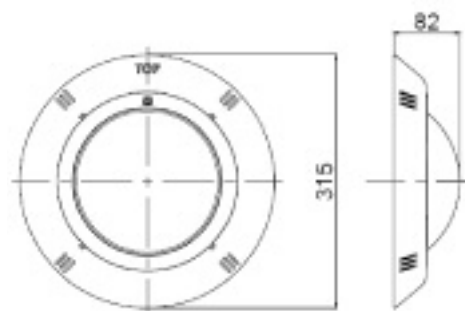
PLQC0800



Code	Description
PLQC0800	Multicolour LED lamp only - PAR56
PLQW0800	White LED lamp only - PAR56



PLFC080C



Code	Description
PLFC080C	Flat light ABS - multicolour - concrete
PLFW080C	Flat light ABS - white - concrete
PLFC080P	Flat light ABS - multicolour - prefabricated/liner
PLFW080P	Flat light ABS - white - prefabricated/liner

The multicolour LED lamps can be controlled in 2 ways:

1. By installing a pushbutton for each light

2. With a PLCB100 control panel plus optional PLRC100 remote control.

12 function modes: 6 fixed colours and 6 sequences

Controls maximum 15 lights

Colour/sequence is on rotary cycle

PLCB100



PLRC100



Code	Description
PLCB100	Control panel/receiver for multicolour lights (up to 15 lights)
PLRC100	Optional remote control for Control panel
PLPB100	Normally Closed pushbutton (controls 1 light)
PLKC300	Complete multicolour light starter kit, 1 x lamp, control panel & remote control (PLQC0800 + PLCB100 + PLRC100)